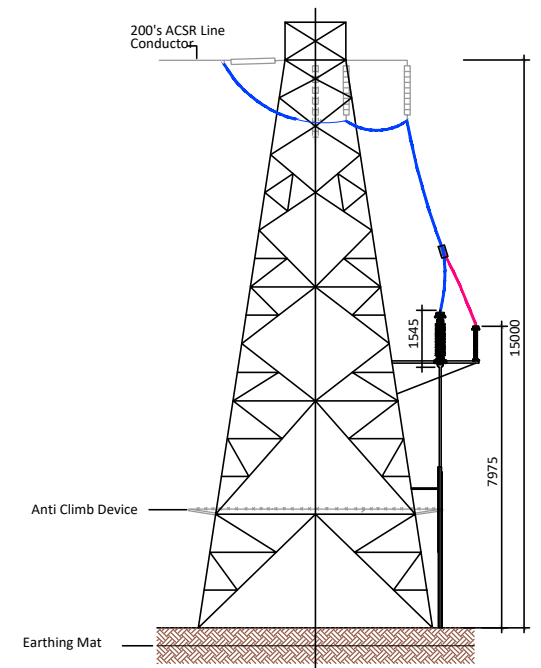
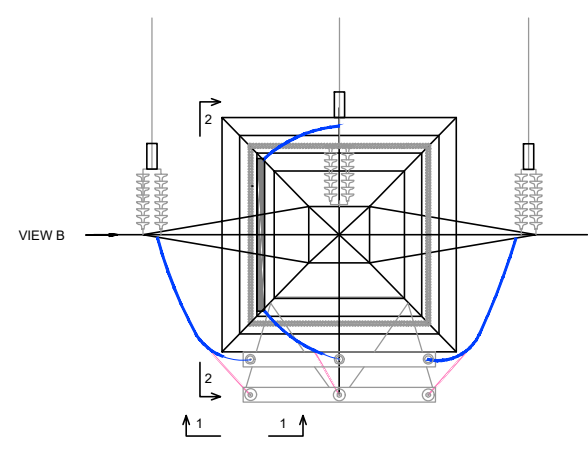


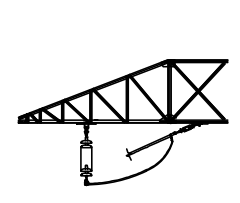
FRONT ELEVATION
(Rear Platform Removed for Clarity)



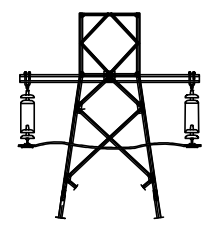
SIDE ELEVATION



PLAN VIEW



SECTION 1-1



SECTION 2-2

THIS DRAWING IS FOR PLANNING PURPOSES ONLY.
IT IS NOT TO BE USED AS A CONSTRUCTION DRAWING.



ScottishPower Renewables
320 St Vincent Street
Glasgow
G2 5AD

Email: info@scottishpowerrenewables.com
Web: www.scottishpowerrenewables.com

This drawing is the property of ScottishPower Renewables UK Ltd. It is a confidential document and must not be copied, used, or its contents divulged without prior written consent.

Scale 1:200 @ A3

Rev.	Date	By	Amendments

Project
**BARNESMORE WINDFARM
REPOWERING**

Title
**INDICATIVE END MAST DETAILS
110 kV GRID CONNECTION**

Issue Details		Office Use Only	
Designed: JOD	Information	Drawing Number:	
Drawn: A.McC	Approval	5952-500-510	
Checked: S.M	Tender	Date:	Rev.
Approved: DK	Construction	19/10/19	
Scale: As Noted	Record		